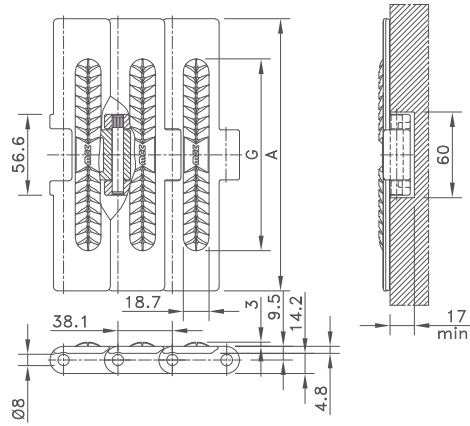
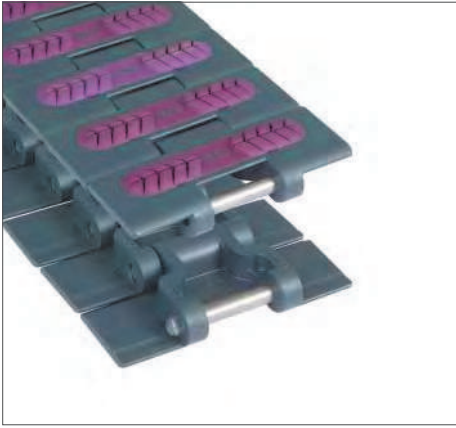


Straight Run Heavy Duty Supergrip



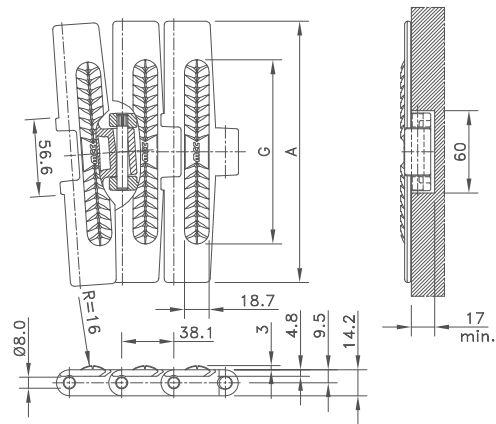
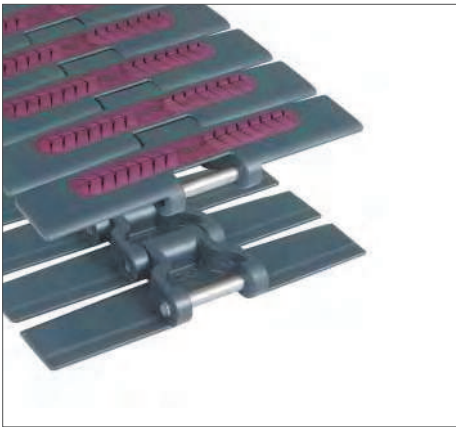
Chain Type	Code Number	Plate Width A		Weight kg/m	Working Load (max.) N (21°C)	Backflex Radius (min) mm	Plate Thickness mm
		mm	inch				
PBT							
HDS 450 SG	780.31.42	114.3	4.50	1.70	2700	50	4.8
HDS 750 SG	780.31.72	190.5	7.50	2.10			
HDS 1000 SG	780.31.90	254.0	10.00	2.42			
HDS 1200 SG	780.31.92	304.8	12.00	2.69			

Standard length: 3.048 m - 10 feet (80 links)

The width (G) of the moulded-in rubber top varies per chain type:

92, 134, 192 and 252.5 mm for respectively HDS 450 SG, HDS 750 SG, HDS 1000 SG and HDS 1200 SG.

Magnetflex® Heavy Duty Supergrip



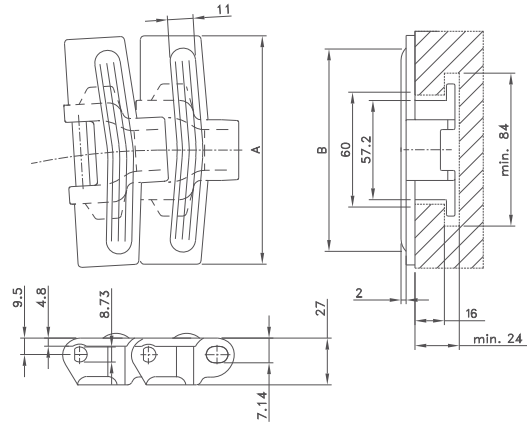
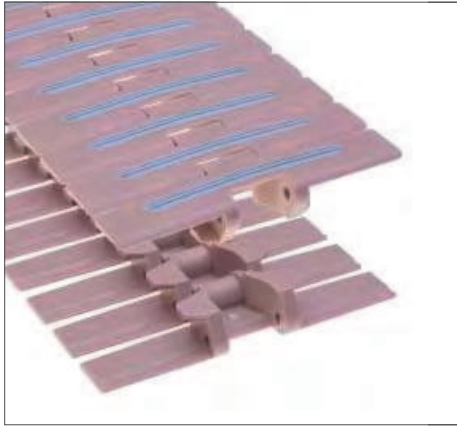
Chain Type	Code Number	Plate Width A		Weight kg/m	Sideflex Radius (min) mm	Working Load (max.) N (21°C)	Backflex Radius (min) mm	Plate Thickness mm
		mm	inch					
PBT								
HDFM 750 SG	780.21.72	190.5	7.50	2.10	610	2700	50	4.8
HDFM 1000 SG	780.21.90	254.0	10.00	2.42				
HDFM 1200 SG	780.21.92	304.8	12.00	2.69				

Standard length: 3.048 m - 10 feet (80 links)

The width (G) of the moulded-in rubber top varies per chain type:

134, 192 and 251 mm for respectively HDFM 750 SG, HDFM 1000 SG and HDFM 1200 SG.

Standard Radius Heavy Duty Single Hinge Tab



Chain Type	Code Number	Plate Width A		Weight kg/m	Sideflex Radius (min) mm	Working Load (max.) N (21°C)	Backflex Radius (min) mm	Plate Thickness mm
		mm	inch					
LF-Acetal								
HFP 882 TAB-K750	L0882691681	190.5	7.50	2.43	610	3830	40	4.8
HFP 882 TAB-K1000	L0882692981	254.0	10.00	2.87				
HFP 882 TAB-K1200	L0882691811	304.8	12.00	3.41				

Standard length: 3.048 m - 10 feet (80 links)

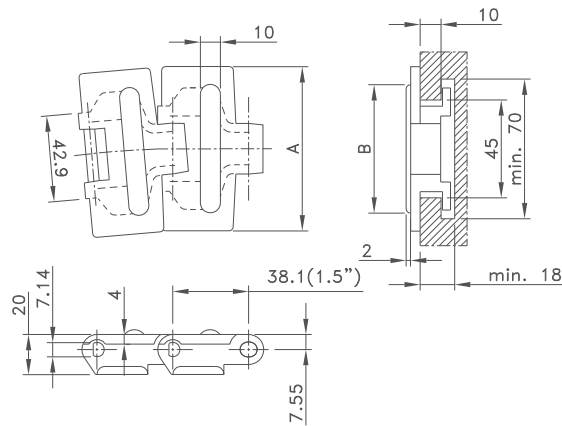
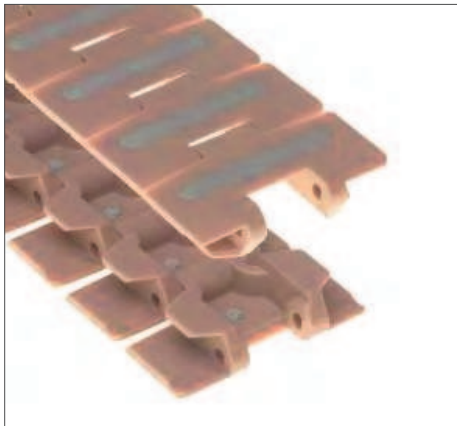
The width (B) of the rubber varies per chain type:

132, 195 and 246 mm for respectively HFP 882 TAB-K750, HFP 882 TAB-K1000 and HFP 882 TAB-K1200.

Other rubber patterns and materials are possible.

Minimum order quantity 30.48 m – 100 feet.

Standard Radius Single Hinge Tab



Chain Type	Code Number	Plate Width A		Weight kg/m	Sideflex Radius (min) mm	Working Load (max.) N (21°C)	Backflex Radius (min) mm	Plate Thickness mm
		mm	inch					
LF-Acetal								
HFP 880 TAB-K325	L0880691121	82.5	3.25	0.94	457	2100	40	4.0
HFP 880 TAB-K450	L0880684291	114.3	4.50	1.08	500			

Standard length: 3.048 m - 10 feet (80 links).

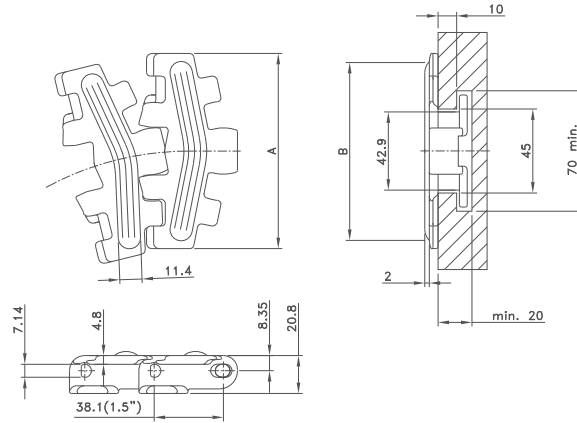
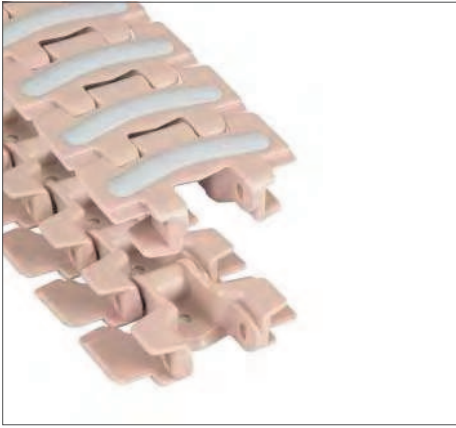
The width (B) of the rubber varies per chain type:

65 and 95 mm for respectively HFP 880 TAB-K325 and HFP 880 TAB-K450.

Other rubber patterns and materials are possible.

* Minimum order quantity 30.48 m – 100 feet.

Small Radius Single Hinge Tab



Chain Type	Code Number	Plate Width A		Weight kg/m	Working Load (max.) N (21°C)	Backflex Radius (min) mm	Sideflex Radius (min) mm	Plate Thickness mm
		mm	inch					
LF-Acetal								
HFP 879 BO-K325	L0879618812	82.5	3.25	1.08	2100	40	190	4,8
HFP 879 BO-K450	L0879605452	114.3	4.50	1.20				

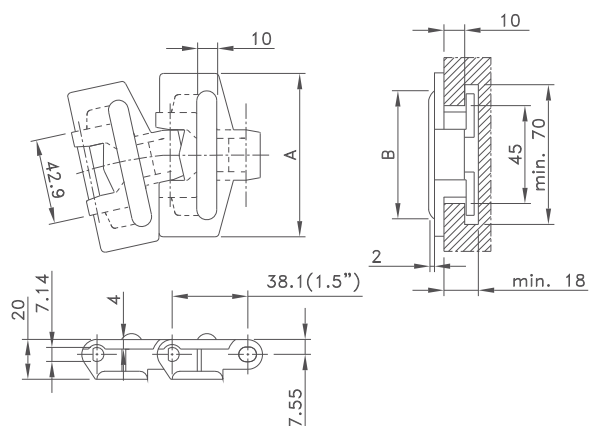
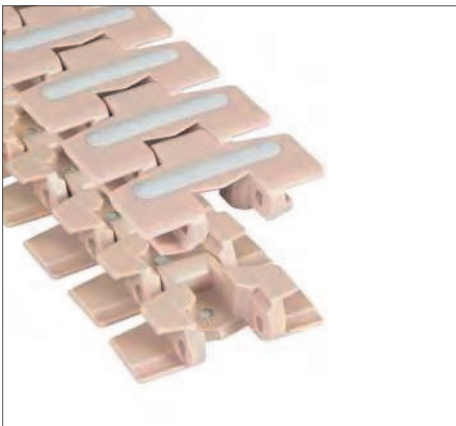
Standard length: 3.048 m - 10 feet (80 links)

The width (B) of the rubber varies per chain type:

71 and 102 mm for respectively HFP 879 BO-K325 and HFP 879 BO-K450.

Minimum order quantity 30.48 m – 100 feet.

Small Radius Single Hinge Tab



Chain Type	Code Number	Plate Width A		Weight kg/m	Working Load (max.) N (21°C)	Backflex Radius (min) mm	Sideflex Radius (min) mm	Plate Thickness mm
		mm	inch					
LF-Acetal								
HFP 880 BOT-K325	L0880605222	82.5	3.25	0.96	1680	40	190	4.0

Standard length: 3.048 m - 10 feet (80 links)

The width (B) of the rubber is 65 mm.

Other rubber patterns and materials are possible.

* Minimum order quantity 30.48 m – 100 feet.